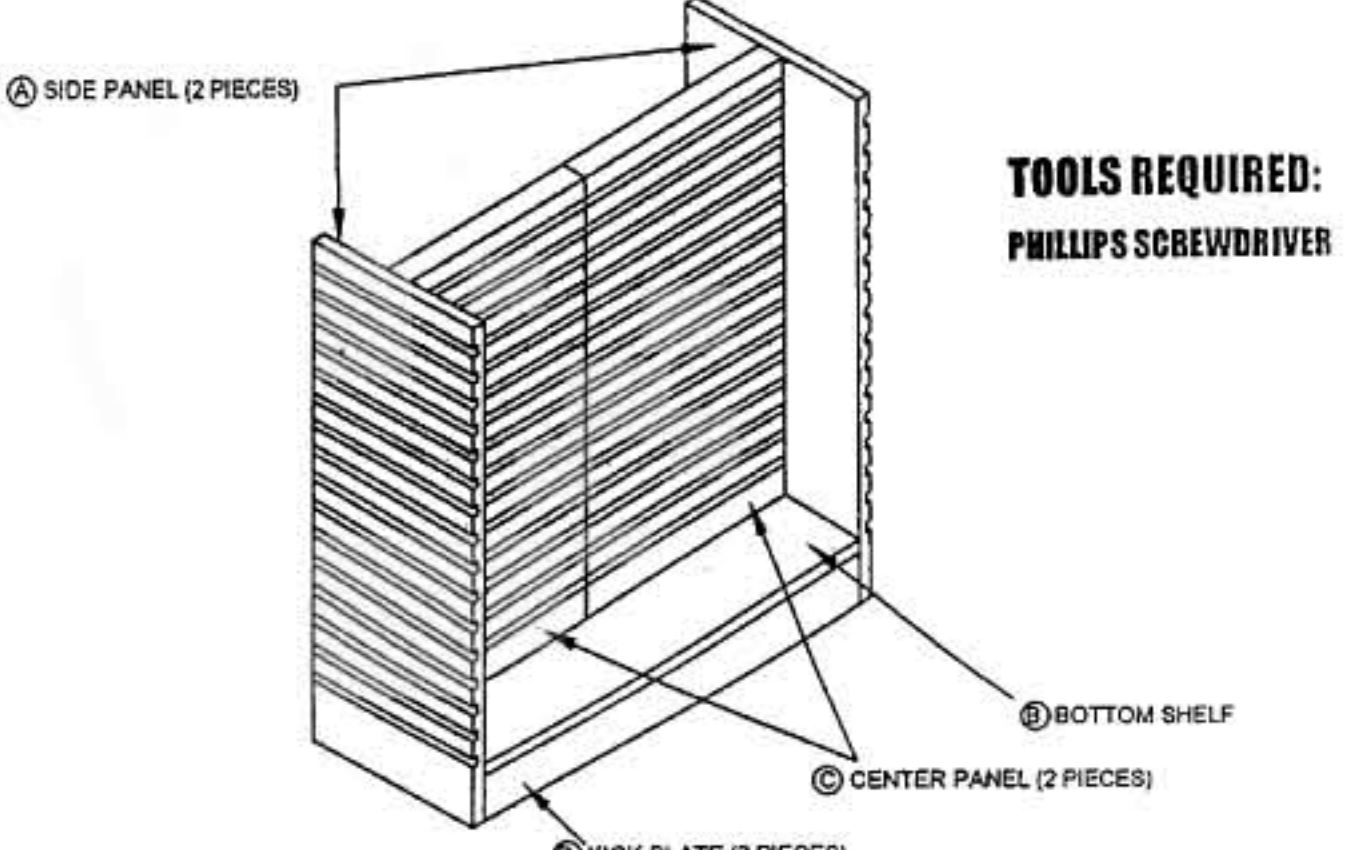


# Components and Assembly Instructions

## "H" STYLE SLAT WALL DISPLAY



**TOOLS REQUIRED:**  
PHILLIPS SCREWDRIVER



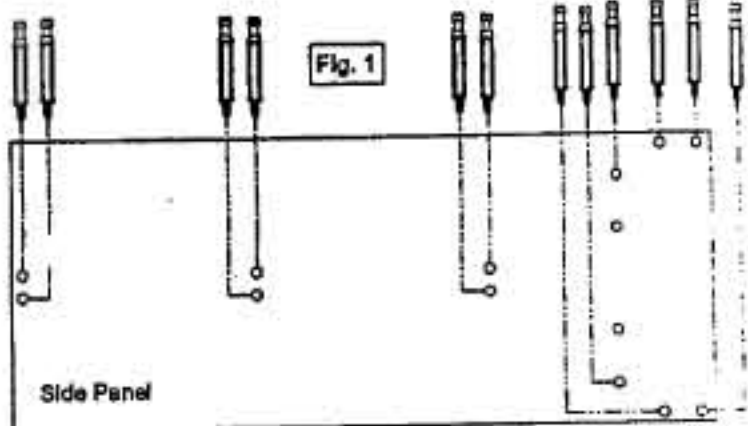
(1)

### Step 1.

Lay Side Panel "A" on flat surface with holes facing upward.

Insert 12 Cam Studs "G" into holes shown, making sure that threaded end of the stud is entered into holes up to the shoulder.

Repeat for other Side Panel "A" (Fig. 1)

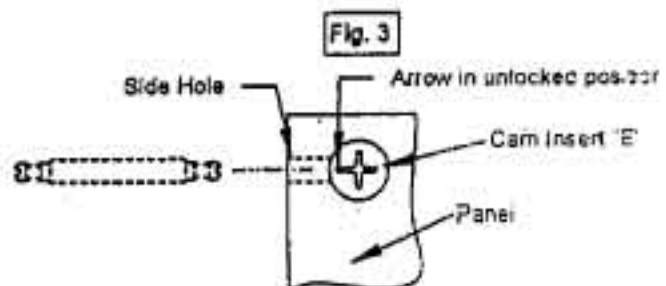
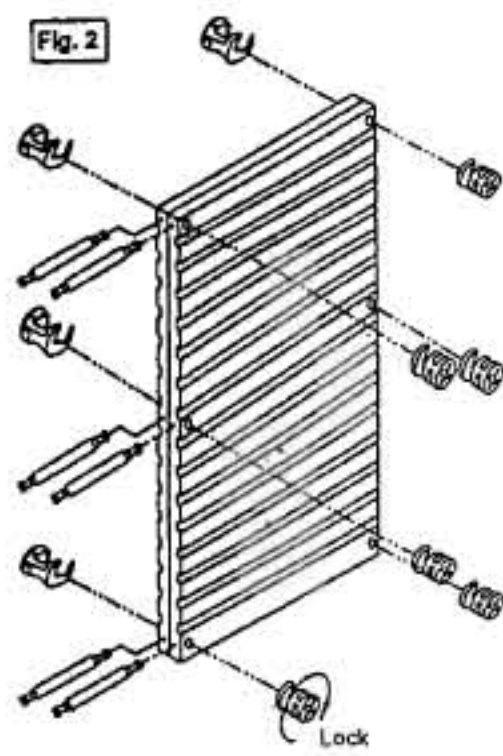


### Step 2.

Insert 6 Cam Inserts "E" into holes shown on each side of the Center Panel "C", making sure the arrow is pointing towards the adjacent holes that accepts the Cam Studs (see Fig. 3).

Repeat for other Center Panel "C".

Insert 6 Double End Cam Studs "J" into holes provided in the end of one Center Panel as shown in (Fig 2). Lock the 3 Cam Inserts "E" on each side of Center Panel that correspond with the 3 Double End Cam Studs "J" by turning clockwise approximately one-quarter turn until tight.

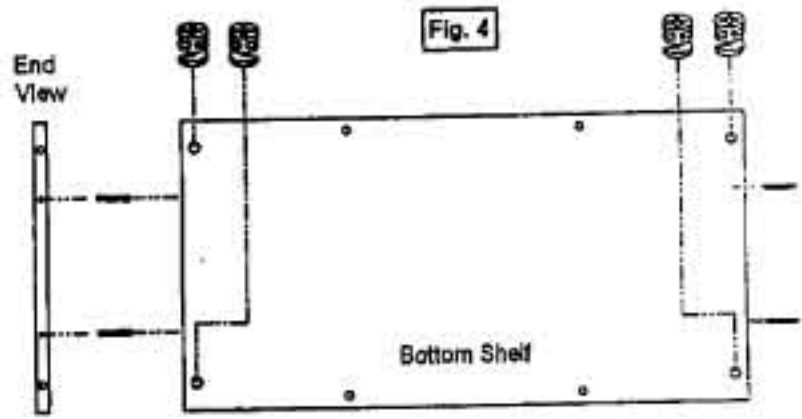


(2)

### Step 3.

Insert four Cam Inserts "E" as shown and two Cam Studs "J" in each end of Bottom Shelf. (Fig 4).

Insert four Cam Inserts "E" as shown in both Kick Plates "D". (Fig 5).



### Step 4. (See Fig. 6)

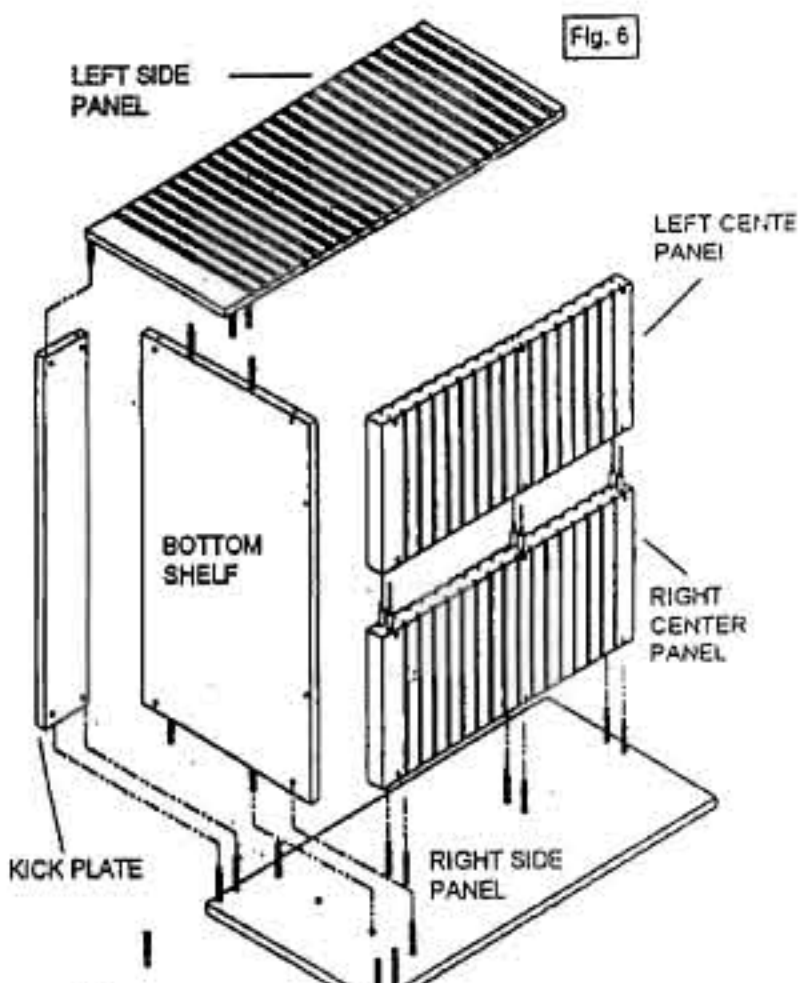
Assemble Right Center Panel to Right Side Panel with Double End Cam Studs "J" facing upward. Lock Cam Inserts.

Assemble Left Center Panel to Right Center Panel. Lock Cam Inserts.

With Cam Inserts "E" facing bottom side of Bottom Shelf, assemble Bottom Shelf to Right Side Panel. Lock Cam Inserts.

With Cam Inserts "E" facing inside, assemble both Kick Plates to Right Side Panel. Lock Cams.

Assemble Left Side Panel. Lock ALL Cam Inserts.



(3)

**AMERICAN RETAIL SUPPLY**

(800) 426-5708 • www.MakeYouHappy.com

Packaging • Display • Price Marking  
Inventory Control • Promotional Products